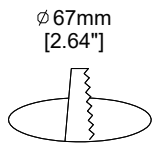
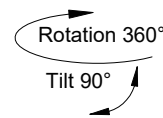
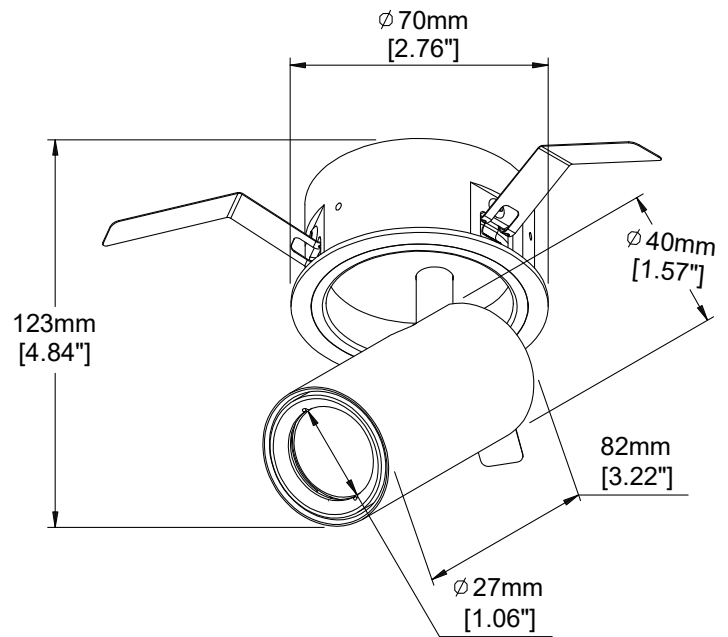


Specification sheet

REV.1

STICK 1 RS Recessed Spot Mini



Description

Stick 1 RS is a semi-recessed adjustable spotlight designed to feature maximum functionality and sleek aesthetic in a compact form. This luminaire is a perfect marriage of functionality and aesthetic. With less than 40 mm in aperture and consuming less than 7 watt, Stick 1 PC delivers up to 400 lumen. This luminaire can rotate 365° and tilt up to 90° making it capable to aim at any directions in the field. The front snoot is designed to twist extend and function as an accessory holder. The accessory chamber is easily accessible in the field.

Features

LED	Lumileds Luxeon M LED Array
Color temperature	2700K/ 3000K/ 3500K/ 4000K
Optics	Spot 14° / Medium 24° / Wide 39°
Accessories	Honey Comb Louver

Performance

Delivered output	Up to 417 lm
Power consumption	7 W
Color rendering	80+CRI (90 CRI optional)
CBCP	Spot 1504cd/ Medium 1285cd/ Wide 949cd

Electrical and Control

Input voltage	Recommended LED driver
Control	TRIAC/ELV or 0-10V dimming
	1-10V dimming options
Feature	Overload & short circuit protection

Construction

Material	Machining grade Aluminum
Finishes	Black/ White
Lens	Interchangeable TIR optics

Rating/ Certification/ Warranty

- Dry and damp Locations
- RoHS compliant
- 5 years/ 50,000 hrs warranty

Ordering Code Information

PRODUCT	LUMEN	COLOR TEMPERATURE	FINISH	BEAM ANGLE
STICK 1 RS	05	27	WH	S
STICK 1 Mini RS	05 500lm	27 (2700K) 30 (3000K) 35 (3500K) 40 (4000K)	WH (White) BK (Black)	S (Spot) / 14 deg. M (Medium) / 24 deg. W (Wide) / 39 deg.

Recommend LED Driver:

Driver No.	Input Voltage	Dimming	Note
DE-1-700-10	120V	TRIAC/ELV	
DE-1-900-10	120V	TRIAC/ELV	Consult Factory
DE-4-700-10	220-240V	TRIAC/ELV	
DE-4-900-10	220-240V	TRIAC/ELV	Consult Factory
DA-3-700-10	120-277V	0-10V DIMMING	

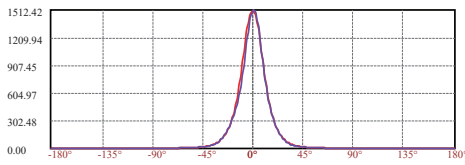
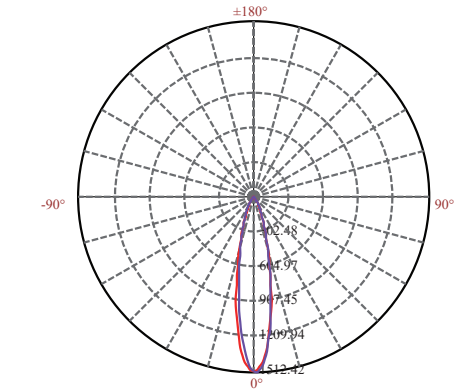
Photometric Data : Distribution Curve

STICK 1 Mini RS (80CRI)

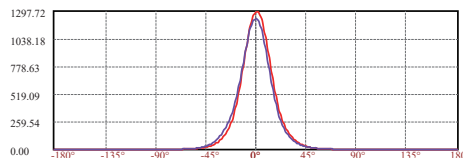
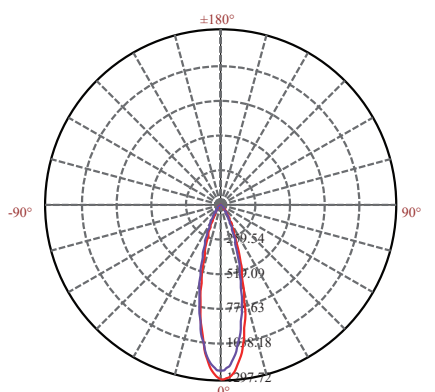
14° Beam Spread
3000K
> 365 lm
Efficacy > 51 LPW

24° Beam Spread
3000K
> 455 lm
Efficacy > 64 LPW

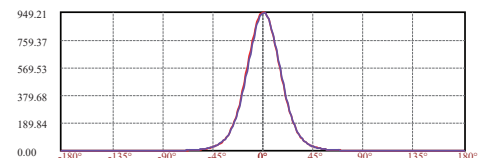
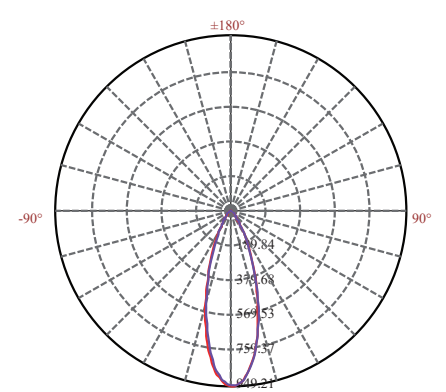
39° Beam Spread
3000K
> 417 lm
Efficacy > 59 LPW



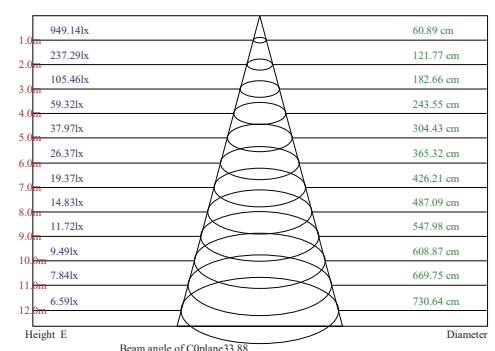
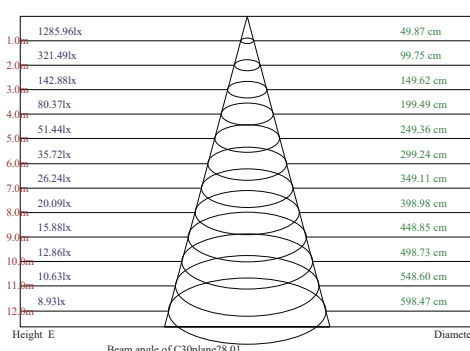
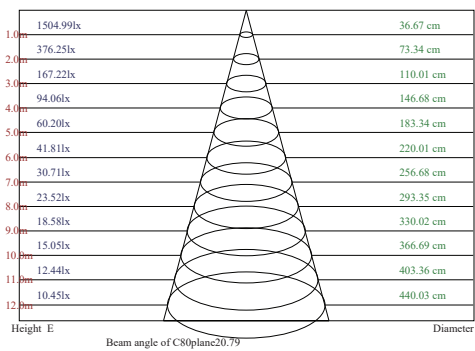
C0/C180: —
C90/C270: —



C0/C180: —
C90/C270: —



C0/C180: —
C90/C270: —

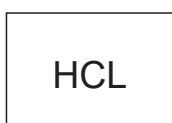


Optional Accessory

Honey Comb Louver



STICK 1 RS



HCL
Honey Comb Louver

